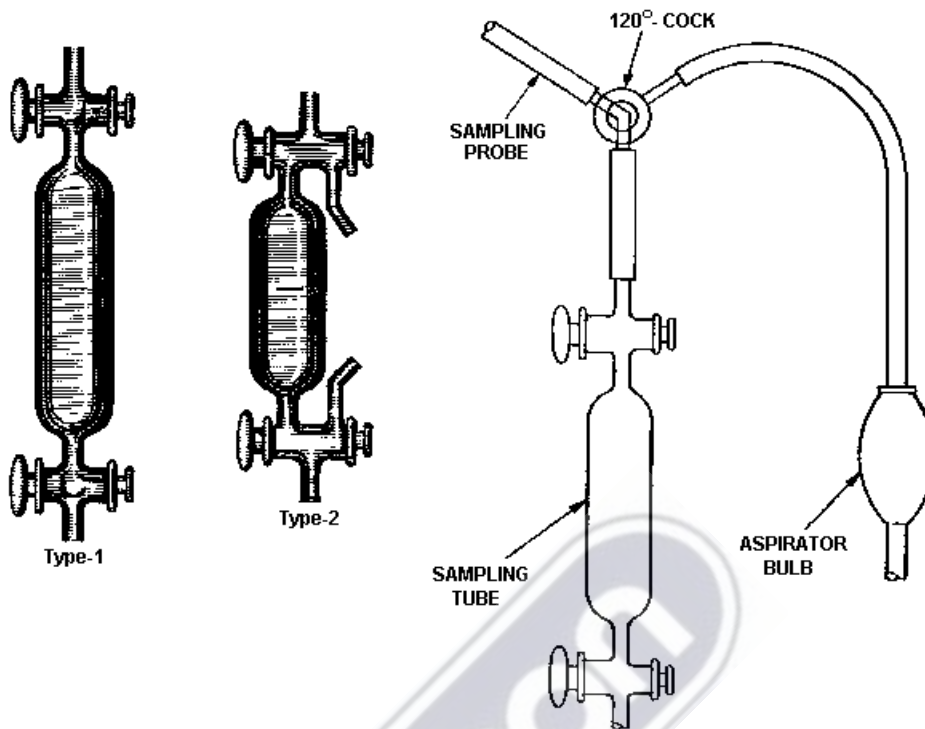


**Micon**

# GAS SAMPLING TUBE



'Micon' Sampling Tubes made from corning glass are available with two way Stop-Cock or 3-way Stop Cock.

1. COLLECTION IN ACCESSIBLE PLACES: DGMS Circular No.39/59 recommends collection of sample by aspiration of Air in a dry and clean bottle.
2. IN- ACCESSIBLE PLACES: Where a sample container cannot be held, a sampling probe 6 mm inside diameter may be used with glass containers. The probe is connected to a aspirator bulb through a 120° -cock so that probe can be flushed before a sample is drawn through it. (See fig above)
3. SAMPLES FOR OXIDE OF NITROGEN & CARBON-MONOOXIDE: DGMS Circular No.39 of 1959 advocates use of 250 cc (8 Oz) bottles for oxides of Nitrogen and 2 liter size Winchester bottles for Co-sampling

## OTHER VENTILATION INSTRUMENTS

- ANEMOMETER
- ANEROID BAROMETER.
- INCLINE MANOMETER
- MAXIMUM & MINIMUM THERMOMETER
- STOP WATCH
- WALL THERMOMETER
- WET & DRY BULB HYGROMETER
- WHIRLING HYGROMETRE
- SMOKE GENERATOR FOR LOW VELOCITY MEASUREMENT

Manufactured, Sold & Serviced by:

**Micon**

**Micon Engineers**

25 Netaji Subhas Road, Kolkata 700001  
Ph:033-2230-9138/8378, Fax:033-2230-8378  
Email: miconeng@rediffmail.com